



THERMAL PRINTING SOLUTIONS

SET-UP GUIDE

PCPRS001 CARD PRINTER

Reference 31 07 332 Issue Z



AXIOHM

1, rue d'Arcueil, BP 820
92542 MONTROUGE CEDEX
FRANCE

Tel : (33) 1 58 07 17 17, Fax : (33) 1 58 07 17 18

CONTENTS

1. YOUR PRINTER	2
1.1. Package	2
1.2. General description	2
1.3. Technical Specifications.....	3
2. DELIVERY, INSTALLATION AND USING.....	4
2.1. Print location.....	4
2.2. Connecting the power supply and interface on PCPR.....	4
2.3. Card insertion	5
3. SELF TEST TICKET.....	6
4. TROUBLESHOOTING.....	6
4.1. Problems & Solutions	6
4.2. Recommendations	7
5. GENERAL INFORMATION	8

1. YOUR PRINTER

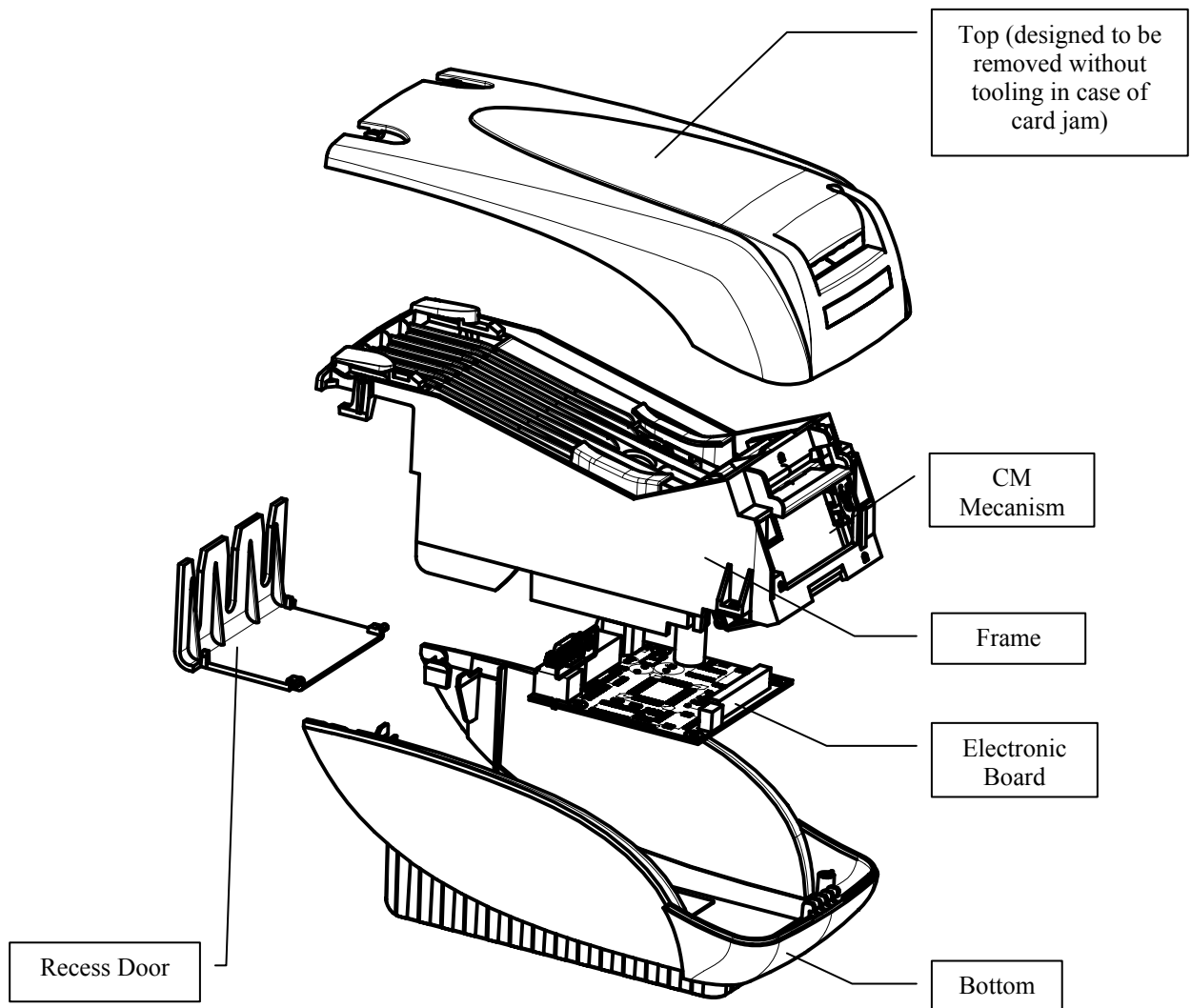
1.1. Package

The packing box contains:

- Printer
- Power supply
- DC cable to be set between power supply and printer
- Power cable to be set between power supply and power network
- Set Up Guide

1.2. General description

The housing consist in 4 plastic parts: base part, top part, main frame and recess door.



1.3. Technical Specifications

The following table gathers the main characteristics of the printing unit.

ITEM	VALUE	UNIT	
Printing Mod	Graphic, text, bar code, logo	--	
Printing method	Static thermal dot line printing	--	
Card loading	Automatic	--	
Number of resistor dots	384	dots	
Resolution	8 horizontal & vertical	Dots/mm	
Printing width*	48	mm	
Max printing speed: USB recommended	80	mm/s	
Card dim. Simple	86 x 54	mm	
Double	171 x 54		
Head T° detection	By Thermistor	--	
Paper feed pitch	1	Motor steps	
	0.125	mm	
Card detection	Opto-sensor	--	
Vch (dot)	24	V DC	
Power supply	- INPUT	110 - 240	V DC
		50 - 60	Hertz
	- OUTPUT	24	V DC
		60	Watt
Over all dimensions: Width	114.6	mm	
Length	227.3	mm	
Height	94.6	mm	
Weight	635	g	
Storage range	-25 to +55	°C	
Relative humidity	20 to 85 no condensing	%	
Operating range	+5 to +55	°C	
Electrical lifetime	10 ⁸	pulses on OE signal	
Mechanical lifetime	Simple card	50 000	km
	Double card	25 000	
Logo + Users fonts - Memory space	48	Ko	
Bars codes supported	Code 39 Code 128 A, B et C JAN(8) JAN(13) Interleaved 2 of 5 Codabar	--	

* Axiohm supplies a power supply adapted in the machine and guaranteed its use.

2. DELIVERY, INSTALLATION AND USING

Unpack the printer, saving all packaging materials for future shipping or storage

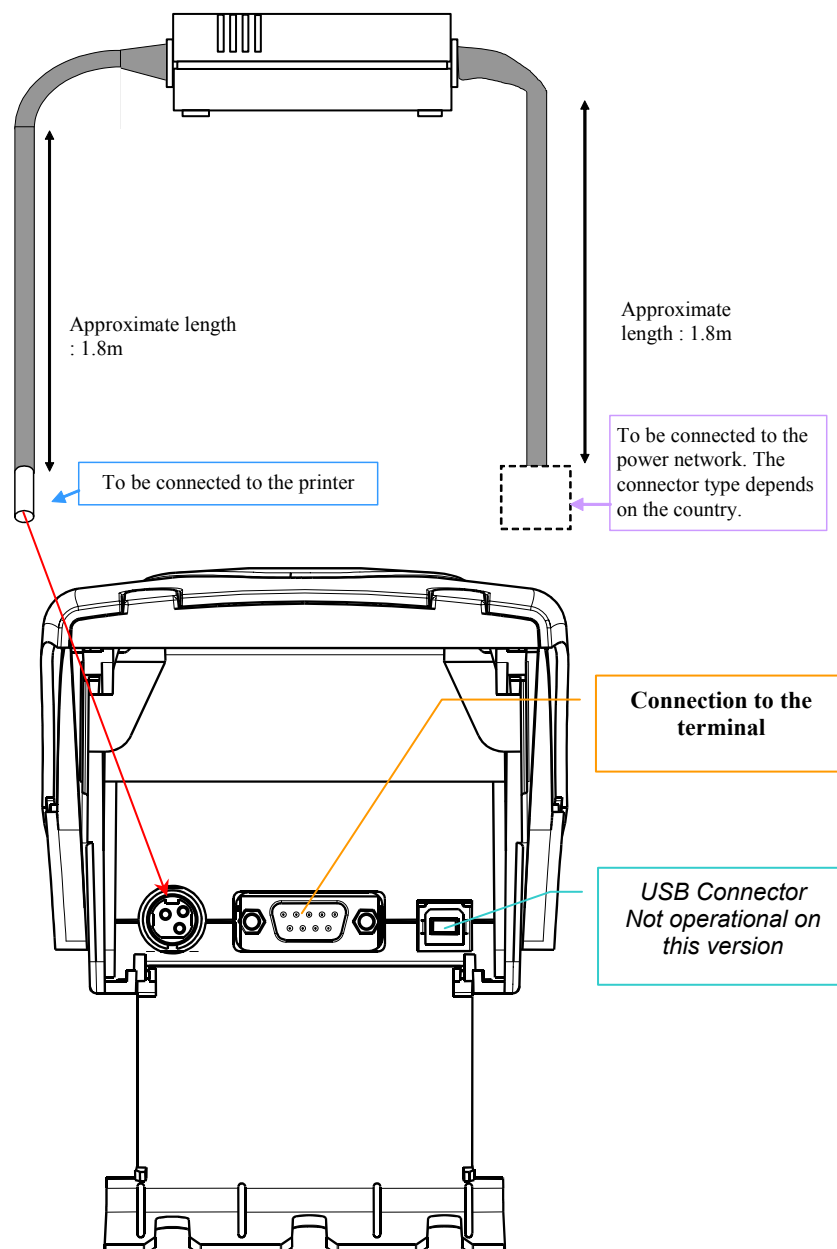
2.1. *Print location*

The printer should be set on a stable holder (for desktop versions) in a place where the following conditions are achieved:

- temperature from 5 to 45°C for operating (- 20 to 60 for storage)
- no risk of water exposure
- no mechanical stress
- it is recommended to avoid the mechanical vibrations

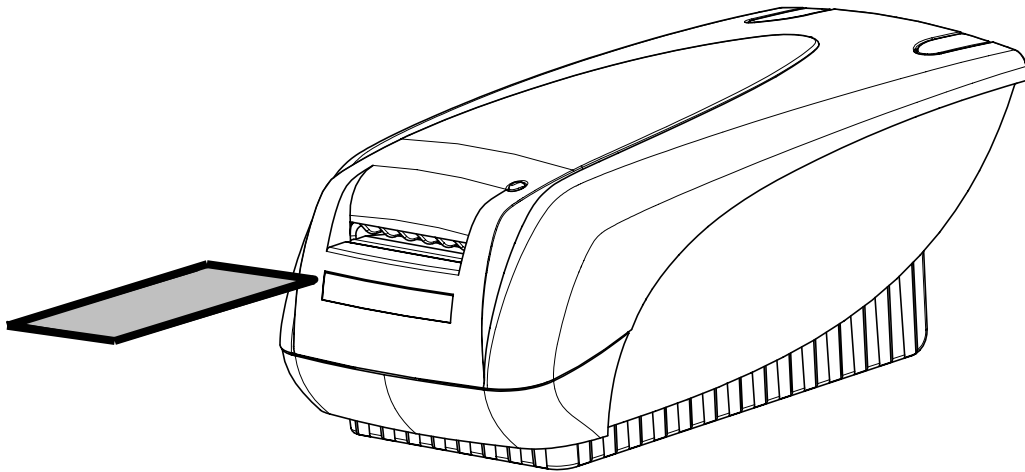
2.2. *Connecting the power supply and interface on PCPR*

Connections have to be set at the rear of printer: open the rear door and set the power supply and the interface cable as shown on the following drawing.



2.3. *Card insertion*

The printable side will be down when entering the printer.
The card is introduced by a slot located on the front of the printer.
The same slot is used for card inlet and outlet.
The card is printed while fed backward for return to the operator.



NOTE: The card used must be the reference recommended by your printer supplier.

3. SELF TEST TICKET

The self test ticket can be printed by pressing both Reset and Paper feed button and releasing the Reset button. Here is the description of all the lines that you can read when you print a self test.

RS232 TICKET

```

*** PCPR - DIAGNOSTICS FORM ***

- Model number : ** PCPR2000 **
- Serial number: 1234567890
FIRMWARE
- Boot Revision   : V1.22
- Boot CRC       : B5B9
- Flash Revision  : V1.05
- Flash CRC      : DFOC
HARDWARE
- Power          : 55 W
- Print Density   : 120%
- Pre Heating    : Off
COMMUNICATION INTERFACE
- Interface Type  : RS232
- Baud Rate      : 115200
- Data/Stop Bits : 8/1
- Parity         : NONE
- Flow Control   : Dtr/Dsr
- Reception error: Ignore
    
```

USB TICKET

```

*** PCPR - DIAGNOSTICS FORM ***

- Model number : ** PCPR2000 **
- Serial number: 1234567890
FIRMWARE
- Boot Revision   : V1.22
- Boot CRC       : B5B9
- Flash Revision  : V1.05
- Flash CRC      : DFOC
HARDWARE
- Power          : 55 W
- Print Density   : 120%
- Pre Heating    : Off
COMMUNICATION INTERFACE
- Interface Type  : USB
    
```

4. TROUBLESHOOTING

Light indicator:

When light is on continuously, the printer is ready to operate.
When light is flashing, an error occurs.

4.1. *Problems & Solutions*

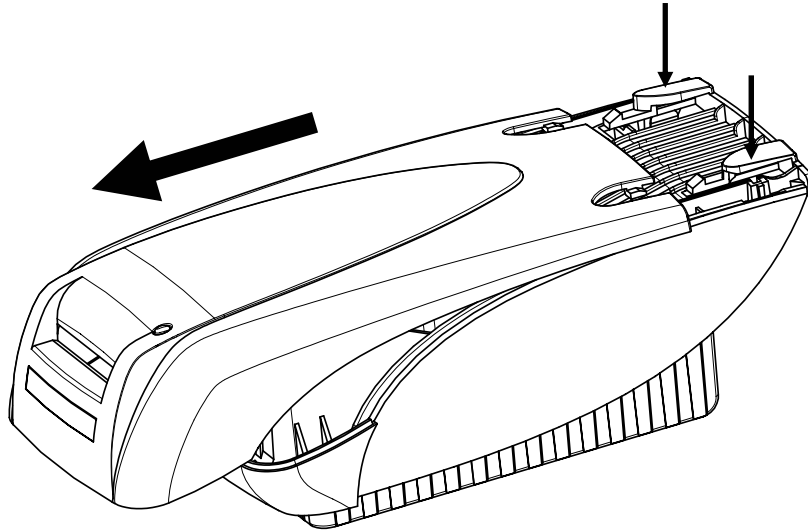
Light is off	Check the power supply and cables connections
Light is continuously on but printer does not operate	Check to see if the interface cable is well connected
Light is flashing	Card is may be stay in the printer, see next chapter

Card jam :

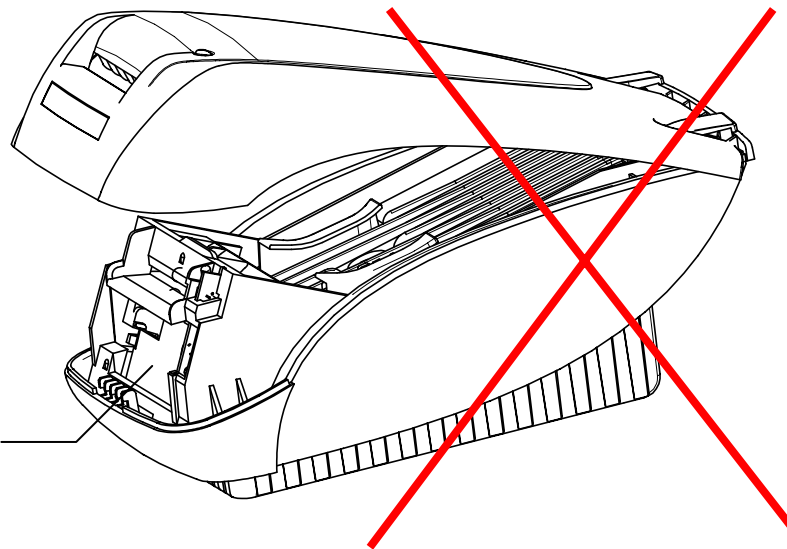
In case of card jam, you have an easy access to the technical area.

To open the cover you have to :

- Push on the 2 rear buttons together.
- Keep pushing and pull the cover according to the direction shown below.



During this operation, take care to avoid any cover rotation (Could seriously damage the printer).



Do not touch the mechanism Area

4.2. Recommendations

- Do not pull on the card while it is printed.
- Do not operate or plug the printer without cover.
- Do not insert any tool in the printer slot.
- Avoid environment with mechanical stress (Vibrations) or liquids projections.
- It is preferable to connect the printer to the terminal first then to the Power Supply.

5. GENERAL INFORMATION

- **Power Supply:**

UL Listed power supply with SELV (Secondary Extra Low Voltage) non energy hazard output, limited energy source input rated 100-240 Vac, 2.0 A, 50/60 Hz, output rated 24 Vdc, 4.3 A for 75 watt unit.
Product characteristics are guaranteed with Axiohm power supply reference 3108213

- **Communication Interface Cable:**

A shielded interface cable must be used with this product. The shield must be connected to the frame or earth ground connection or earth ground reference at EACH end of the cable.
Use of a cable other than described here will require that you test the cable with the Axiohm printer and your system for FFC and CE mark certification.

- **Power Cord:**

A UL listed, detachable power cord must be used. The printer side power connector must remain available when the printer is installed.

- **Max duty cycle:**

- Printing: 20% max at 25°C

For complementary information, please see the Axiohm 3108010 user manual