

MINISMART™ INSERT READER

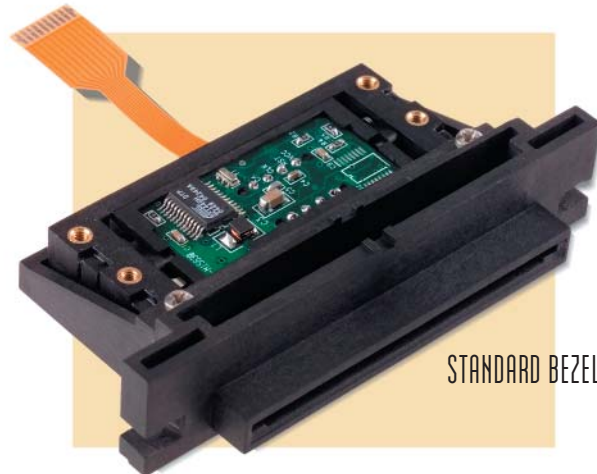
Intelligent Reader-Writer

for Smart Cards

TTL, RS-232, and PC/SC Interface

EMV™

CE



Reads and writes to smart cards.

The Intelligent MiniSmart Partial Insert Reader is designed to read and write to Integrated Circuit Cards (ICC or “smart” cards), memory or microprocessor, conforming to ISO 7816 standards.

Fits in the smallest possible places.

The Intelligent MiniSmart is small enough to adapt to the widest possible range of application needs. Interconnection via flex cable is simple. The reader is approved to the Terminal Level 1 EMV 2000 specification, and is able to communicate with a host PC as a smart card reader-writer under the PC/SC version 1.0 interface, if desired. When the MiniSmart is used as an integrated component, the RS-232 TTL-level interface enables easy integration with an embedded system over minimal distances. For longer distances between the reader and the host, the RS-232 interface is also available.

IDTECH®

Value through Innovation

Reliable to 1,000,000 cycles.

The MiniSmart is the smallest reader proven to deliver reliable performance for more than 1,000,000 card cycles. The reader’s chassis is molded from a glass and lubricant-filled engineering plastic that supports a landing-style smart card connector and “card seated” switch. The card seated switch provides dependable confirmation of full chip-to-connector contact for trouble-free transactions. The reader can be mounted to a chassis or terminal utilizing threaded inserts or an optional molded bezel (either standard or flush mount).

Designed for a wide range of applications.

This manually-operated reader communicates with an IC card’s contacts through gold-plated contacts that “land” on the ICC’s contacts and create a .02 inch “wiping” action to ensure a dependable connection and long life. The chassis is designed to discourage jamming due to debris particles entering through the slot. An optional “gate” protects the reader from dust, debris, and casual vandalism.

MIN 85XX MiniSmart Intelligent Reader-Writer Specifications

Electrical

Output Signals: Vcc (DC power to reader). GND (Signal ground). Card Seated Signal (Output TTL or RS-232 Level). TxD (Output TTL or RS-232 Level). RxD (Input TTL or RS-232 Level). DSR (Output PC/SC Plug and Play). LED Cathode Control Signal (Output TTL Level). Card Seated Signal (Output Switch Signal). ICC Signals (per ISO 7816) on connector.

Power: +3V to +5.4V DC.

Ground: 0 VDC (GND).

Environmental

Operating Temperature: 32°F to 158°F (0°C to 70°C). Extended temperature option available.

Storage Temperature: -40°F to 185°F (-40°C to 85°C).

Humidity: Maximum 95% non-condensing.

Reliability

ICC Card Connector: 1,000,000 cycles minimum.*

Chassis and Bezel: 1,000,000 card cycles minimum.*

Warranty: One year, parts and labor.

* All wear reliability numbers are based on operation in a laboratory environment.

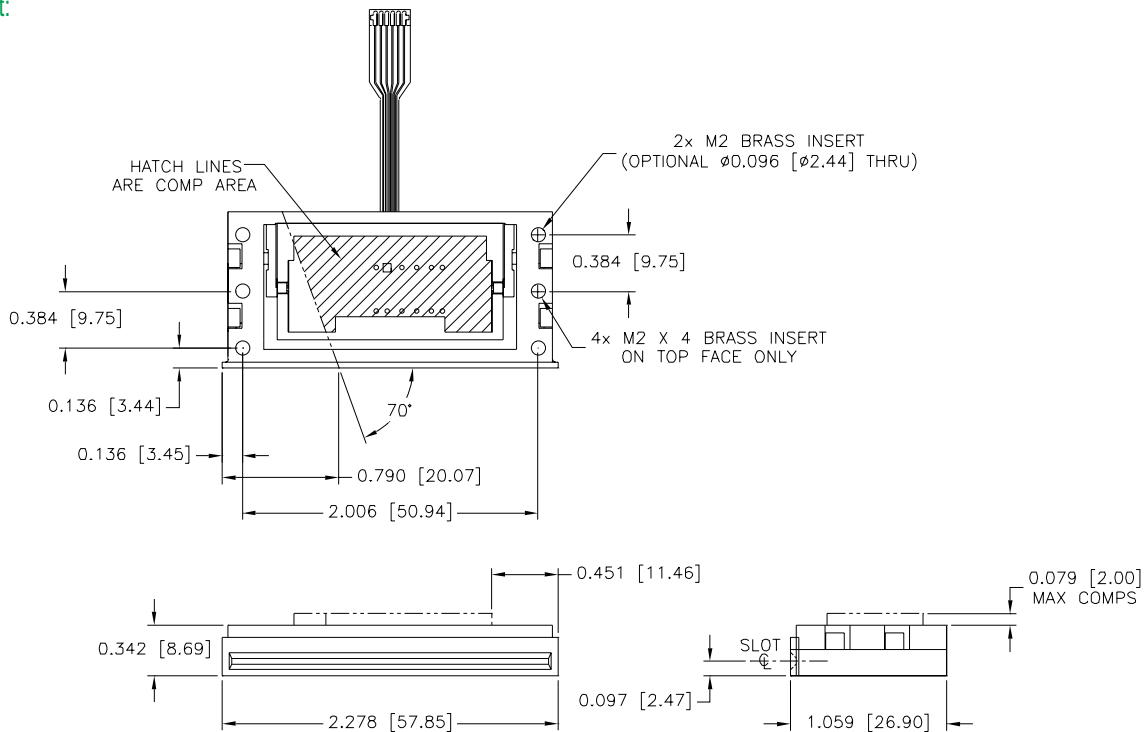
Mechanical

Media Thickness: .027 to .033 inches.

Dimensions: Depth: 1.06 inches (26.9 mm). Width: 2.28 inches (55.8 mm). Height: .39 inches (10.0 mm).

Options: Standard bezel, flush-mount bezel, gate.

Footprint:



IDTECH[®]
Value through Innovation

10721 Walker Street
Cypress, California 90630
(714) 761-6368 Fax: (714) 761-8880
Visit us at www.id-tech.net