

# CITIZEN®

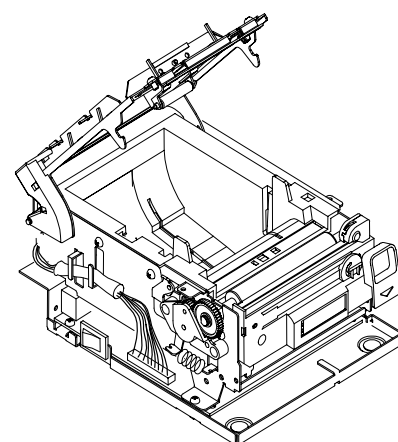
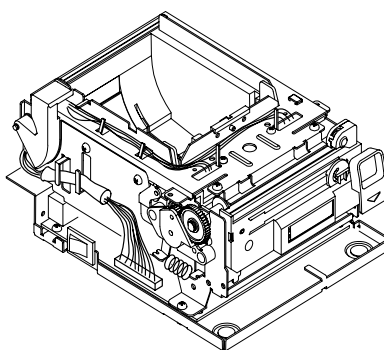
## **CITIZEN KIOSK PRINTER MODULE Unit : PMU1000**

PMU1000 is an easy KIOSK solution to save your R&D cost and time. This KIOSK module unit is designed as Ready-To-Install into your KIOSK system and this solution does not need longer time for designing printer function in your KIOSK system. As PMU1000 is based on our most sellable thermal POS printer, CBM1000II series, its high performance and reliability are well-acknowledged in the market.

### **Features**

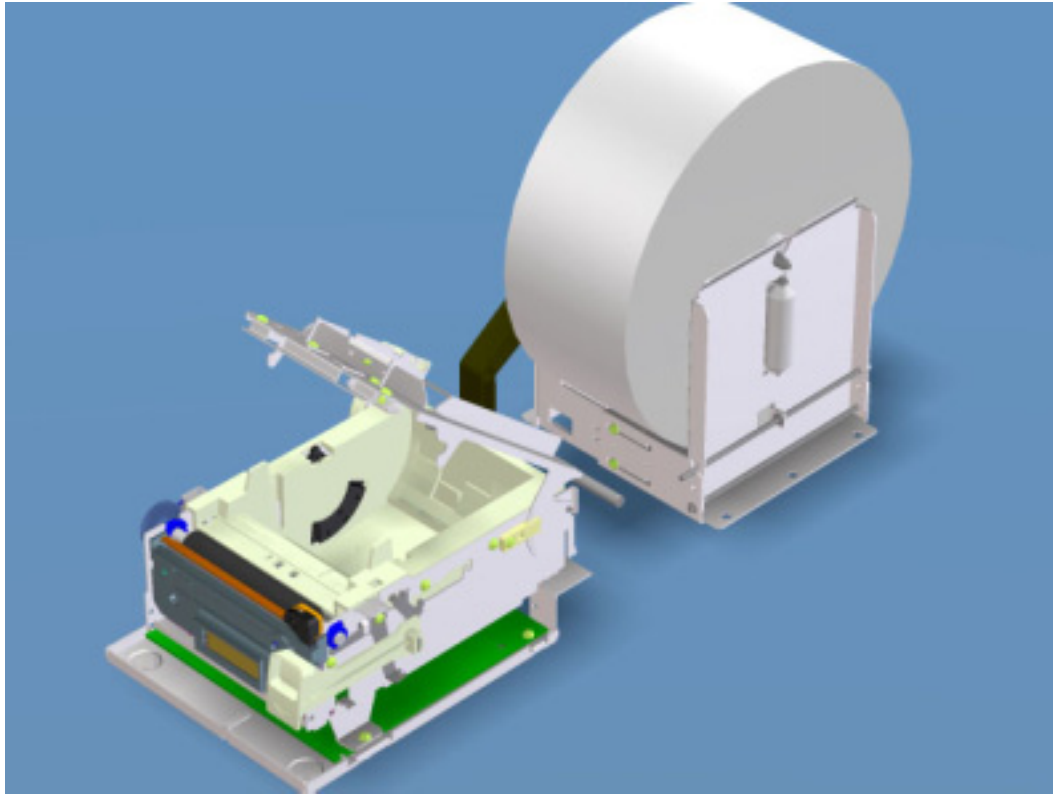
- High-speed printing : 150mm/sec.
- Selectable paper width(58/80mm)
- Easy paper loading
- Front paper exiting suitable for KIOSK
- Several types of driver are available (Windows / OPOS / Java POS)
- USB or Ethernet interface are available as an option
- Built in NV Memory
- Larger paper roll capability (with optional Paper Holding Unit)

### **Easy paper loading**



### **General specifications**

|                        |  |
|------------------------|--|
| Printing method        | Line thermal dot printing  |
| Printing width         | 80 mm paper : 72mm/576 dots<br>58 mm paper : 54mm/432 dots   |
| Dot pitch              | 8 x 8 dots/mm (203 dpi x 203 dpi)  |
| Number of columns      | 80mm paper: Font A-48 or 42 columns, Font B-64 or 56 columns<br>58mm paper: Font A-36 or 30 columns, Font B-48 or 40 columns |
| Barcode type           | UPC-A/E, JAN-13/8, ITF, Code 39, Code 128, CODABAR, Code 93  |
| Interface              | Parallel: IEEE 1284 and Centronics compliant, Serial (RS-232C), USB, 10/100 Base Ethernet                                    |
| Weight                 | 1.4 kg (without power supply)  |
| Dimensions (W x D x H) | 138 x 185 x 90 mm  |
| Reliability            | Thermal head: 100,000,000 pulses or 100km<br>Cutter: 1,000,000 cuts  |



**Design idea (PMU1000 + Paper holding unit)**