

A795

Two-Color Single Station Thermal Printer

A795 Two-Color Single Station Thermal Printer

Designed for hospitality and general retail applications, the A795 is one of the fastest and most reliable printer in its class. Best of breed, this extremely small footprint single-station printer offers the reliability you have come to expect from TPG in monochrome and now in two-color printing modes.

Fast and Reliable

We know how valuable transaction time is, so TPG designed the ColorPOS® printers to cut down printing time at the point of sale. With a print speed of 200 mm/s in monochrome and 100 mm/s for two-color printing, TPG's ColorPOS printers are among the fastest two-color printers in the industry with first class monochrome print speeds.

ColorPOS Technology

Continuing its tradition of innovation, TPG is proud to offer the first ColorPOS equipped two-color thermal receipt printer. ColorPOS technology is a low energy two-color printer loaded with built-in features designed for ease of use and integration.

Increase Profitability

TPG direct thermal printers reduce transaction times, improve loyalty programs, reduce the occurrence of receipt frauds, and increase accuracy for exceptions and returns.

TPG's ColorPOS equipped printers work wonders to improve your brand image and brand recognition, and will increase customer understanding of, and participation in, your marketing programs.

Two-Color Thermal Paper

TPG has partnered with a major paper manufacturer to develop a cost competitive two-color thermal paper. This two-color thermal paper activates at lower energy levels than other available papers. This gives you low cost thermal paper, higher print speed and a longer print head life.



If your business could use a dash of customer participation and retention, it's time you added a splash of color to your receipts.



A795

Two-Color Single Station Thermal Printer

Low Cost Integration

TPG's innovative and patented features can be easily implemented through a simplified command set, utilities and drivers. This reduces integration time and lowers the development cost.

Total Cost of Ownership

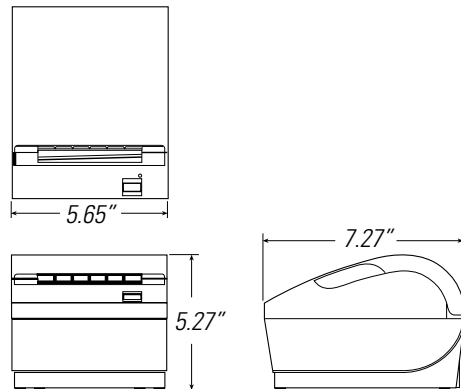
With highly integrated electronics and low energy activation paper, TPG's ColorPOS printers image two colors at a high rate of speed. This breakthrough technology preserves the life of TPG's print head by using a standard 55 watt power supply for both monochrome and two-color printing. Combined with efficient technology and low cost paper, the A795 offers the lowest total cost of ownership in its class.

Color Flexibility

If you are not ready to take advantage of TPG's color printing technology, ColorPOS technology provides exceptional value when operating in monochrome mode. The A795 is proven to be reliable and has a first class print speed. Then, when you want to take advantage of the A795's color capabilities, TPG will be ready to support your transition into color receipts.

Technical Specifications

Print Method	Direct Thermal, 203 DPI
Character Cell Size	13 x 24, 10 x 24
CPI	15.6, 20.3
Print Columns	44 & 56 Columns
Character Set(s)	Code Page 437, 850, 852, 858, 860, 862, 863, 865, 866, and 1252. Contact your TPG representative for expanded character sets.
Bar Codes	UPC-A, UPC-E, Code 39, Code 93, Code128, EAN128, JAN8 and JAN13 (EAN), Interleaved 2 of 5, Codabar, PDF417
Printing Speed	Monochrome 59.3 LPS (200 mm/s) Color 29.6 LPS (100 mm/s)
Auto Cutter	Full and Partial Cut Selectable
Data Buffer	4KB
User Memory	380KB up to 1380KB Flash Shared (graphics, logos, user defined characters)
Interface(s)	Dual 9-pin RS-232/USB, 25-pin RS-232
Cash Drawer Control	1-2 Drawers
Paper Type	Direct Thermal, POS Grade(s), and special paper for color Printing
Paper Roll (W x D)	3.15" x 3.55" Dia. (80 mm x 90 mm Dia.)
Power	24 VDC +/- 5%
Certifications	EMI: FCC, ICES-003: Class A; CE, Austel, VCCI: Class B, Safety: UL 1950, CSA 22.2 No. 950, CE (EN60950), MITI (power supply)
Reliability	200 km monochrome/two-color; 1.5 Million Autocuts
Dimensions (W x D x H)	5.65" x 7.27" x 5.27" (144 mm x 185 mm x 134 mm)
Weight	1.35 kg (3.0 lbs.)
Printer Drivers	OLE POS for Windows Compatible and Windows®/Windows NT®



www.TPGprinters.com

Transaction Printer Group – Headquarters

25 Tri-State International, Suite 200, Lincolnshire, IL 60069
Tel: 847 383 7900 Fax: 847 383 7949 www.TPGprinters.com

USA – 800 732 8950

© 2006 TPG IPB, Inc. dba Transaction Printer Group (TPG) a subsidiary of ATSI Holdings, Inc. All Rights Reserved. Patents pending. All trademarks or registered trademarks are the property of their respective owners. Printed in U.S.A. Product specifications are subject to change in order for TPG to continue to meet the needs of the market.

AXA-48 4/06

Distributed by:

